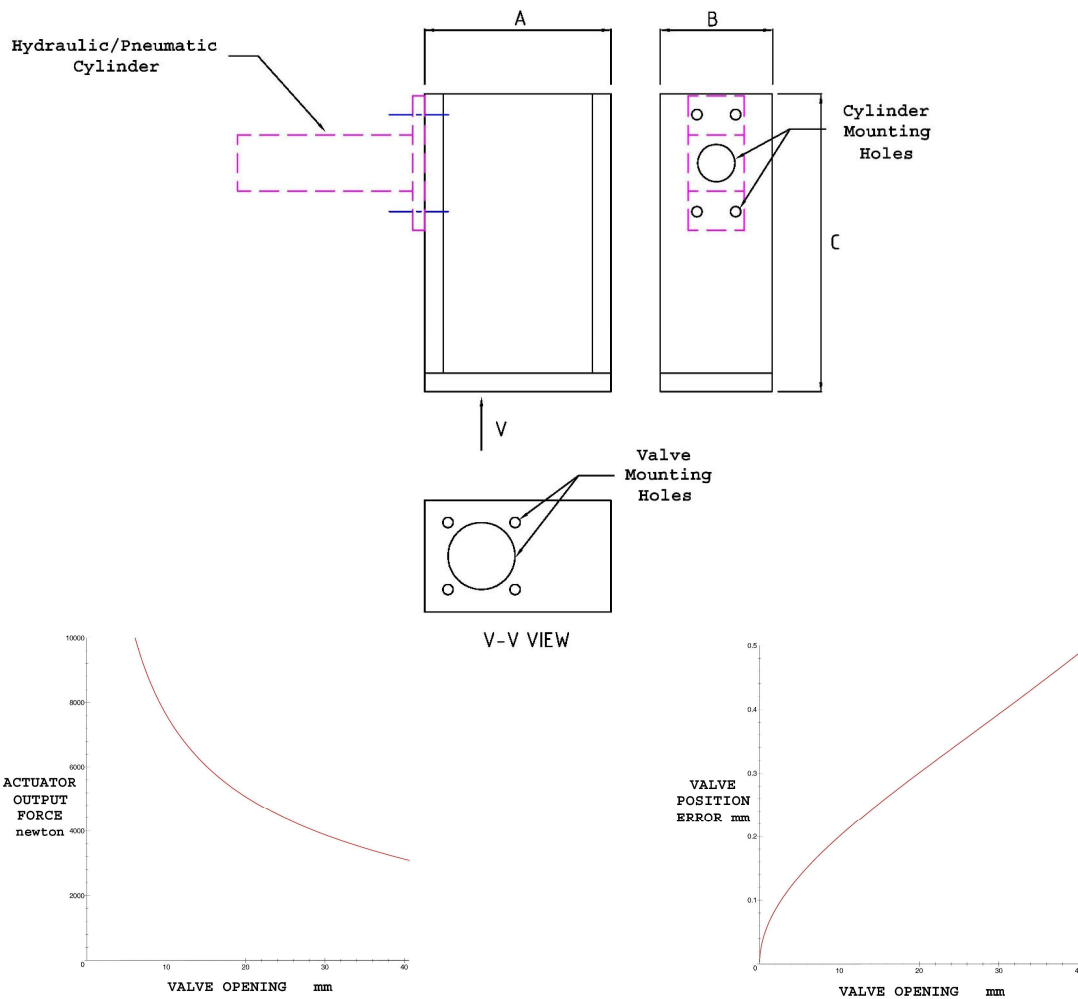


Expro Type LL Linear to Linear Actuators Actuator Parameters

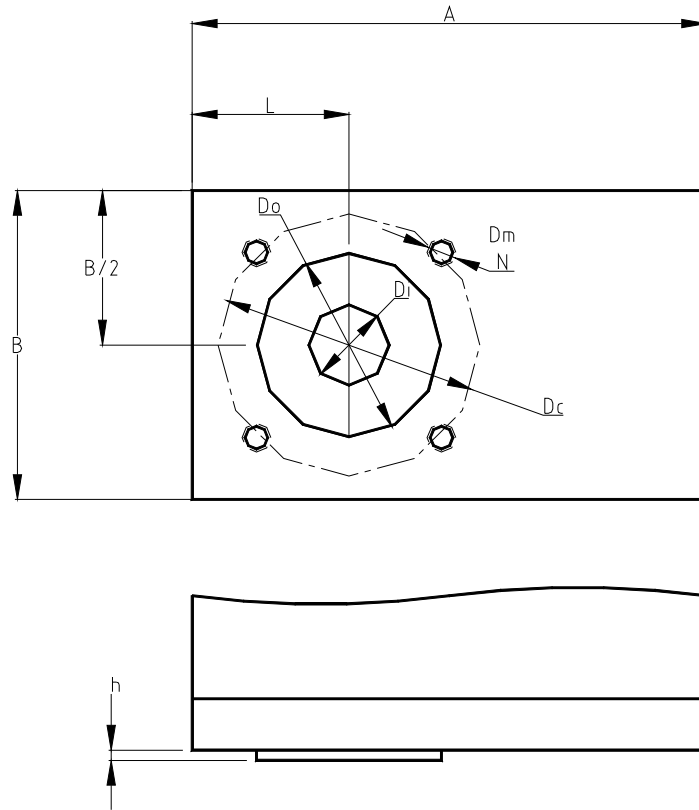
Model	Output Force Newton(Lbs)	A Length mm(inch)	B Width mm(inch)	C Height mm(inch)	Cylinder Bore mm(inch)	Cylinder Stroke mm(inch)	Hydraulic Pressure Mpa(PSI)	Output Stroke mm(inch)
LL3000	3000 (700)	250 (10")	120 (4")	400 (16")	25 (1.0")	100 (4")	10 (1500)	38 (1.5")
LL15000	15000 (3500)	250 (10")	150 (6")	400 (16")	50 (2.0")	100 (4")	10 (1500)	38 (1.5")
LL35000	35000 (8000)	250 (10")	175 (7")	450 (18")	75 (3.0")	100 (4")	10 (1500)	38 (1.5")
LL100000	100000 (22500)	250 (10")	200 (8")	450 (18") <td 125 (5.0")	100 (4")	10 (1500)	38 (1.5")	



Notes:

1. The actuator nominal speed is 38 mm/s. Output force is minimum force.
2. The valve position errors are calculated under assumed cylinder 0.5 mm position error.
3. Different output strokes, speed and cylinder strokes are available.
4. Configurations can be modified to meet customers' specifications.
5. Contact **Expro Engineering** to discuss your specifications. **Expro** will make it work for you.

Expro Engineering **Phone:** (315) 453-0515 **Fax:** (315) 451-5193 **Email:** contact@exproengineering.com
 7500 Thunderbird Rd. Liverpool, NY 13088



Mounting Dimensions for LL Actuators

Dimension Data

Model Type	A	B	L	D_o f_8	h max	D_c	D_m	No. of bolts N
LL3000	250	120	65	30	3	42	M5	4
LL15000	250	150	80	55	3	70	M8	4
LL35000	250	175	95	85	3	125	M12	4
LL100000	250	200	110	130	5	165	M20	4

Notes:

1. The standard dimensions meet ISO 5211:2001(E)
2. Configurations can be modified to meet customers' specifications.